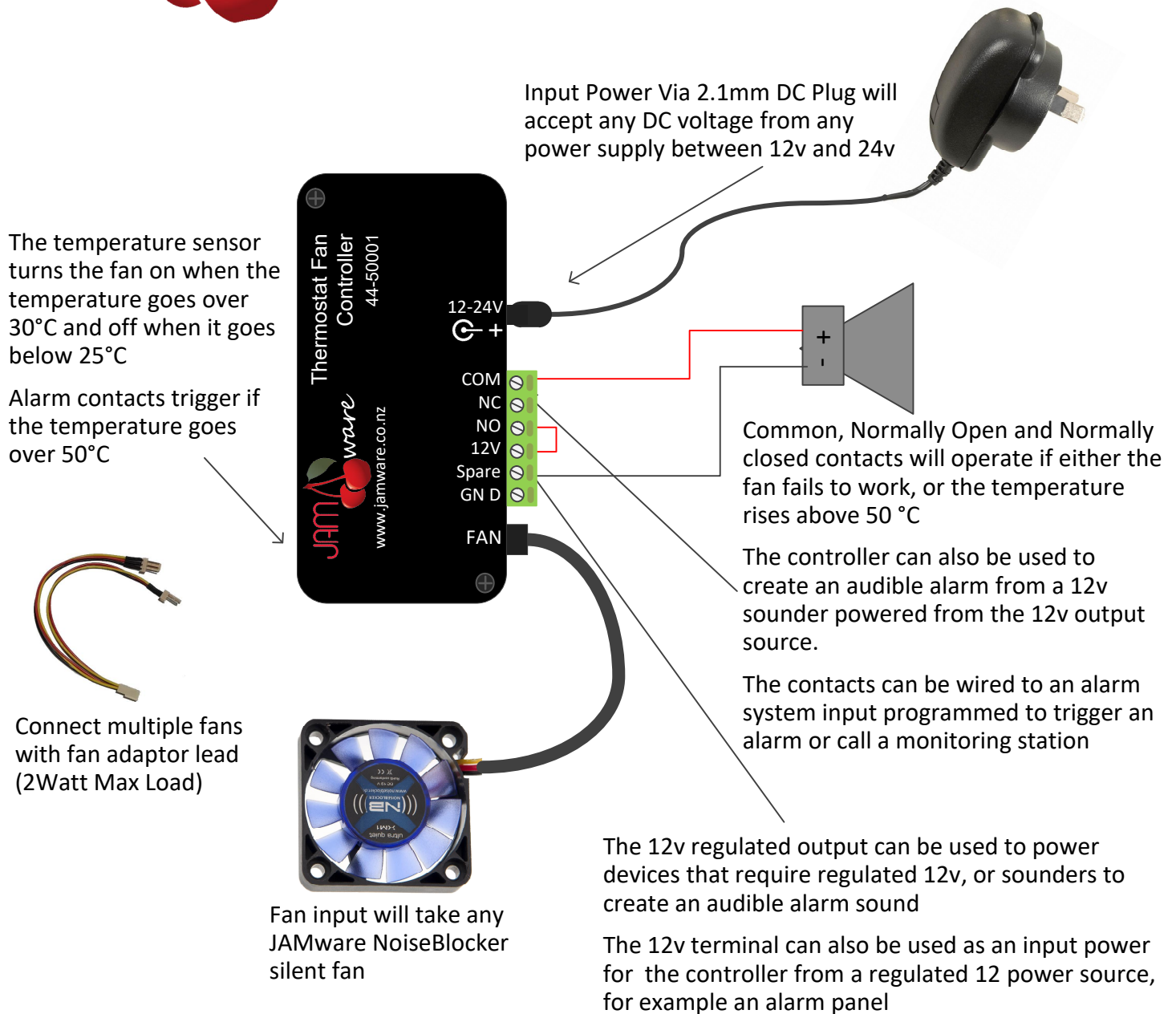




Thermostat Fan Controller Data Sheet



Primary Function:

The JAMware Thermostat Fan Controller is primarily used to control a fan in a Communications Security or Audio Video Cabinets to regulate the temperature.

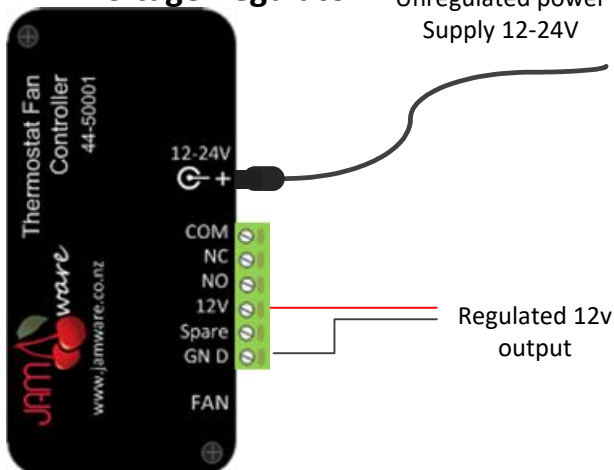
Additional Functions:

The JAMware Thermostat Fan Controller can also be used for a number of other functions, if wired for the additional functions, including:

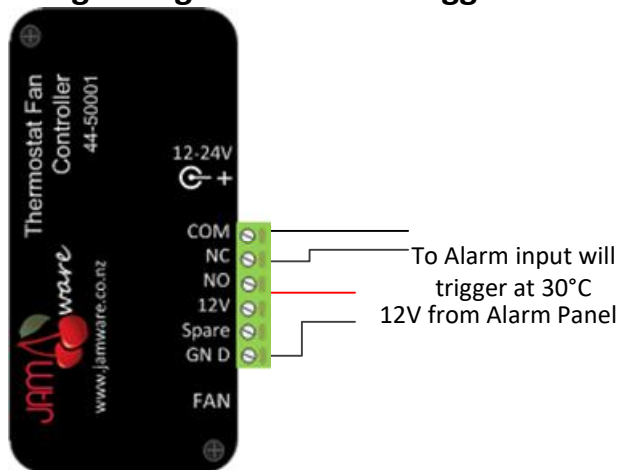
- 12v voltage regulator,
- thermostat to trigger an alarm if temperature goes above 30°C
- or a two stage thermostat: at 30°C start the fan and optionally trigger an alarm, at 50°C trigger the alarm

For wiring instructions turn over page

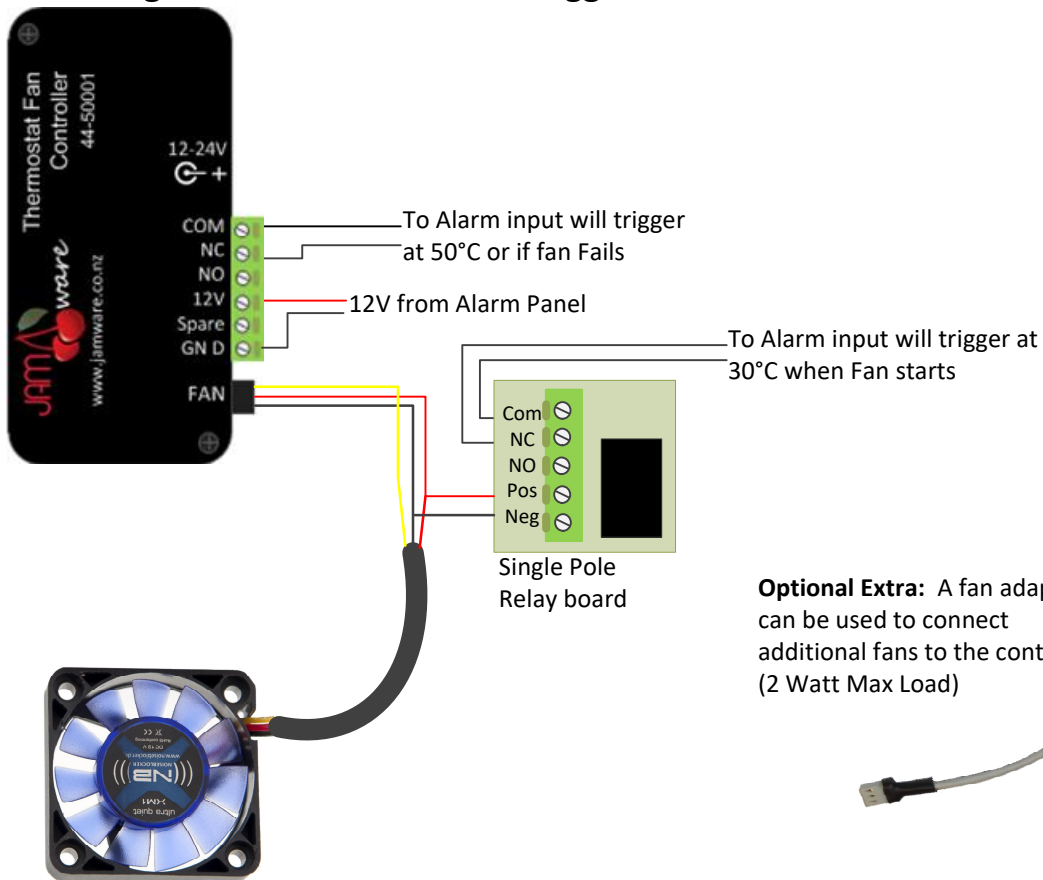
12v Voltage Regulator



Single Stage Alarm 30°C Trigger



Dual Stage Alarm 30°C and 50°C Trigger



Other JAMware Cooling products

80mm Fan
55-10004



40mm In line fan
55-10012



42.5mm Flexible Ducting



Quick connector fan coupler kit
55-10013



60mm Fan
55-10003



40mm Fan
55-10001
55-10002



Fan adapter lead
55-10015

